



EASY E2000

ELECTRIC LARGE FLOW VENTILATOR 400V

THE EVER MORE POWERFUL FAN THAT GOES UP TO
350 000 M³/H



The Easy e2000 has an adjustable tilt from -30° to +30° and built-in speed control. It also has a 220v Mono output (Maximum 10A) to power other devices. The device is also very easy to maintain and service: oil changes are not necessary.

ELECTRIC

Thanks to its 400V power supply, the EASY e2000 emits no CO, is quieter and requires less maintenance.

REMOTE-CONTROLLED

The wired remote control allows to adjust the propeller rotation speed, the elevation, and the inclination. It also has an "Emergency Stop" position

COMPACT & MOBILE

Space-saving, only 125cm high! It can be handled with a forklift.

INTEGRATED MISTING

The Easy e2000 has a standard mist system

MULTI-APPLICATIONS

Allows the use of ducts, foam adapters...



● USES :

- Indoor and outdoor: Water proof (IP55)
- As PPV, with blowing duct (optional) or as extractor with suction duct (optional)
- - Alone, at the entrance of a building in VPP or in VPP combined with other ventilators
- As a foam generator with its adapter (optional)

FEATURES

EASY E2000

Part number	I50-30-301 : Skid EASY e2000
Open airflow	>350 000 m ³ /h
Adjustable tilt	-30 /+30°
Weight	230kg Skid version without lift 395kg Skid version with lift 1.2 or 2 metres
Dimensions W x H x D	1060 x 1250 x 1300mm Skid version
Propeller	885 mm
Usage T°	-10°C / +55°C (-2.5% performance per degree C above 45°C)
Power	400V – 32A
Motor	15 kW drive input / 12 kW motor shaft output
Alimentation	400V Three-phase (3P+N+T) with 20m 6mm ² cable
Protection	Earth leakage switch 4P 40A 300mA type B, Schneider brand, ref. A9Z64440 Circuit breaker 3P 32A curve B, Schneider brand, ref. A9F76332
THCD:	Total Harmonic Current Distortion 34%
Misting	220 L/min @ 5 bar
IP	IP55
Ventilation type	PPV and extraction
Garantie	1 year

RANGE

MOBILE MODELS WITH EARTH CABLE REEL AND PLUG (32A 5p 400V Mennekes)

SKID EASY e2000 WITHOUT ELEVATION	160-30-301
SKID EASY e2000 WITHOUT ELEVATION + TRANSPORT TROLLEY	160-30-307
EASY e2000 TRAILER WITHOUT ELEVATION	160-30-304
SKID EASY e2000 + 1200 MM ELEVATION	160-30-306
EASY e2000 TRAILER + 1200 MM ELEVATION	160-30-305
SKID EASY e2000 + ELEVATION 2000 MM	160-30-303
SKID EASY e2000 + ELEVATION 2000 MM + TRANSPORT TROLLEY	160-30-302
EASY e2000 TRAILER + 2000 MM ELEVATION	160-30-300

FIXED MODELS WITHOUT EARTH CABLE REEL NOR PLUG

SKID EASY e2000 WITHOUT ELEVATION	160-30-321
SKID EASY e2000 WITHOUT ELEVATION + TRANSPORT TROLLEY	160-30-327
SKID EASY e2000 + 1200 MM ELEVATION	160-30-326
SKID EASY e2000 + ELEVATION 2000 MM	160-30-323
SKID EASY e2000 + ELEVATION 2000 MM + TRANSPORT TROLLEY	160-30-322



OPTIONAL ACCESSORIES

Suction duct 6m diam. 575mm	160-20-019	High expansion foam generator 400 l/min 1.5" BSP M	160-20-146
Blowing Duct 5m - diam. 900mm	160-20-122	Protective cover	On request

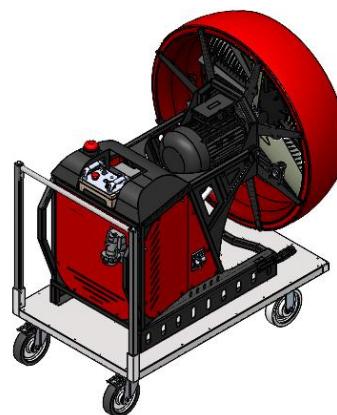
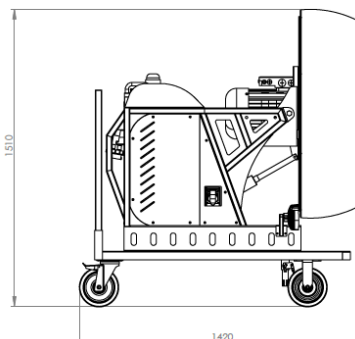
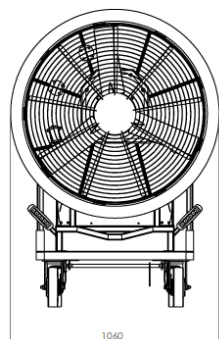
For more details please refer to the product catalogue

● REDUCED COST OF OWNERSHIP

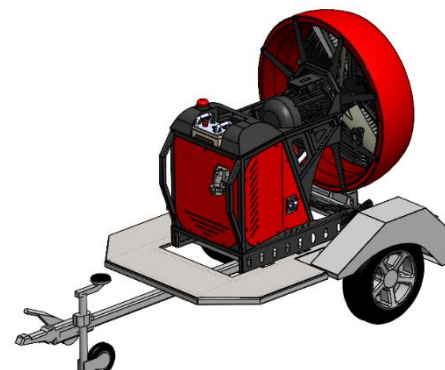
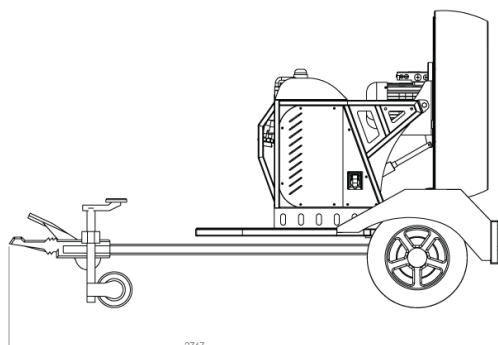
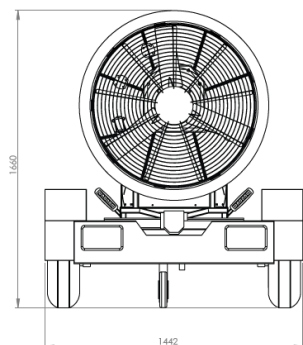
Very low maintenance due to the robust design and materials used.

● CONFIGURATION EXAMPLE

Skid version with "transport trolley" option. Equipped with a "dead man" anti-rollback system and steerable wheels at the rear. (275kg)



Skid version with road trailer option. (435kg)





Skid model with 2000mm elevation::

- Elevation 2000mm (395kg)

Equipped with an emergency battery for elevation use even when not connected to the mains.

- With transport trolley (430kg)

Equipped with a "dead man" anti-rollback system and steerable wheels at the rear.

